

IP SMART-SIGHT SERIES

Provision-ISR SMART-SIGHT Series includes high performances AI CAMERAS, designed for specific purposes and applications. All the devices' components (from the sensor, to the optics, through the CPU and even the lighting) were especially selected to deliver the most accurate AI result for the required application.



I6-320LPR-MVF1

60M IR 2MP MOTORIZED LENS LPR BULLET CAMERA

Provision-ISR I6-320LPR-MVF1 LPR camera relies on the most advanced image-processing technology. Equipped with a 2.8-12mm motorized lens, this 2MP bullet camera has been designed to capture international license plates' numbers and letters.

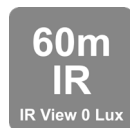
I6-320LPR-MVF1 captures the license plate in real time generating appropriate action such as opening a gate or giving an alert.

Provision-ISR LPR cameras best application is in gate automation and street monitoring.



SMART PLATE

LICENCE PLATE RECOGNITION CAMERAS



MAIN FEATURES

- 2MP
- 1920x1080 Resolution
- 2.8-12mm Motorized Vari-Focal (103.4°-32.4°)
- 3D-DNR
- IP67
- 2 Way-Audio
- Alarm in + Out

ANALYTICS

- General Analytics: Camera Tampering
- LPR (licence plate recognition):
 - LPR (detection speed): 0-70Km/h
 - LPR (database):10000 Plate Database



SPECIFICATIONS

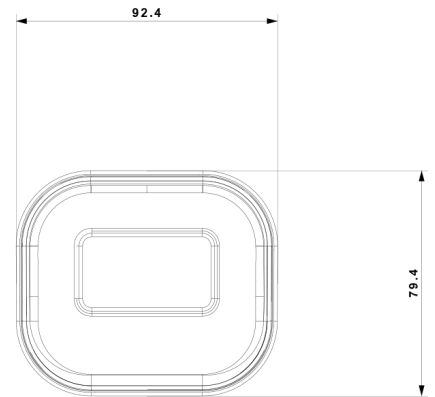
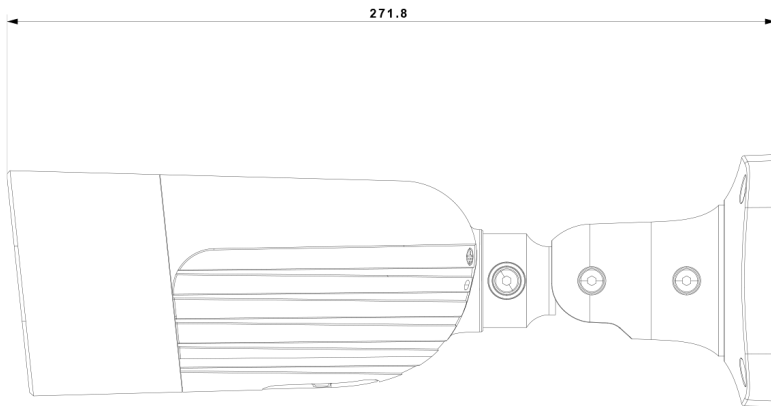
| | |
|----------------------|---|
| Image Sensor | 1 / 2.8 "CMOS |
| Effective Pixels | 1920x1080 |
| Electronic Shutter | 1/25s ~ 1/100000s |
| Frame Rate | 1-25/30FPS |
| Day & Night | ICR |
| Min. Illumination | Day: 0.1lux / Night: 0.005lux (@F1.6, AGC On) 0lux with IR on |
| Audio compression | G.711A/G.711U |
| Communication | Two-way Audio |
| Image Settings | AWB, AGC Adjustable, Exposure Mode (Auto) Sharpness, Saturation, Brightness & Contrast Adjustable |
| Image Enhancement | True WDR(120dB), BLC, HLC, ROI |
| Noise Reduction | 3D-DNR |
| Image Orientation | Mirror/Flip |
| Privacy Zone | Yes |
| Motion Detection | Yes |
| Analytics | General Analytics: Camera Tampering LPR (detection speed): 0-70Km/h LPR (database):10000 Plate Database |
| Video Compression | H.265S/H.264S*, H.265+/H.264+/H.265/H.264, MJPEG** |
| Resolution | 2MP / 1MP / D1 (704x576) / QVGA (480x240) / CIF (352x288) |
| Multi-Stream | Master Stream: 2MP (1920x1080) / 1MP (1280x720) (1~30fps) Sub-Stream: 1MP/QVGA/D1/CIF Third Stream: QVGA/D1/CIF (1~30fps) |
| Bit rate | 64Kbps ~ 8Mbps@H.265 / 64Kbps ~ 12Mbps@H.264 |
| Encode Mode | VBR/CBR |
| Image Quality | Five levels under VBR; Free adjustment under CBR |
| IR Distance | 60m (4 High Power IR LED) |
| Lens (Field of View) | 2.8-12mm MVF(103.4°-32.4°) |

*Main Stream Only, **Sub-Streams Only

SPECIFICATIONS

| | |
|---------------------|--|
| Iris | DC Iris |
| Lens Mount | Ø14 Mount |
| Protection Rate | Water Proof: IP67 |
| Bracket | 3-Axis Bracket |
| Dimensions | 271.8x92.4x79.4mm |
| Weight (gross) | ~1040g |
| Network | RJ45 (+PoE) |
| Power | DC Socket |
| Analog Video Output | Technician Port |
| Audio Connectivity | Audio Input + Audio Output |
| SD Card | Event/Schedule based Main/Sub-Stream recording (Up to 128Gb) |
| Hard Reset Button | Yes |
| Alarm | Alarm in + Alarm Out |
| Remote Monitoring | IE Browsing, CMS Software, Provision Cam2 Mobile App |
| User Access | Supports simultaneous monitoring for up to 3 users with multi-stream real time transmission |
| Network Protocol | IPv4, IPv6, TCP, UDP, DHCP, NTP, DDNS, 802.1X, RTSP, Multicast, UPnP, Email, FTP, HTTPS, QoS |
| ONVIF | Yes |
| Ethernet | 100Mbps |
| PoE | Yes |
| Power Supply | DC12V/~910mA / PoE/~11W |
| Work Environment | -30°C~60°C, 10%~90% Humidity |
| Junction Box | PR-JB14IP66 - PR-JB14IP64 |

DIMENSIONS



ACCESSORIES



PR-JB14IP66



PR-JB14IP64