

S-Sight

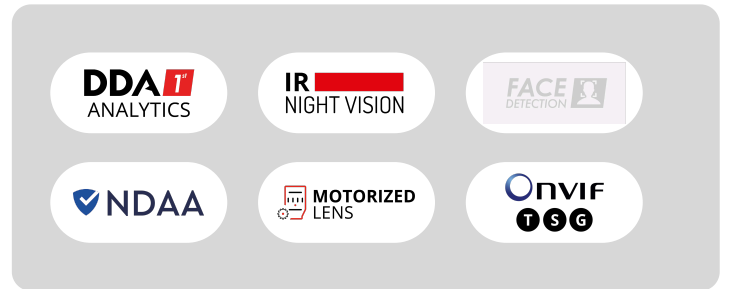
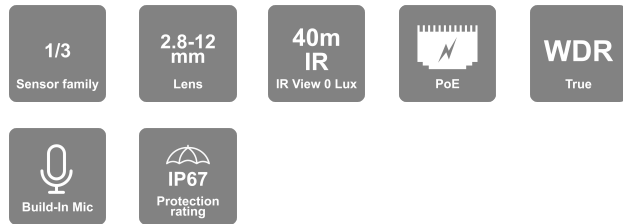
This series simplifies surveillance with high-quality images and enhanced night vision capabilities. Powered by AI (DDA™ Video Analytics and Face Recognition) and equipped with Check Point protection for comprehensive monitoring. Choose from rainbow cameras, Motorized Varifocal options, and Anti-Vandal designs for high-security areas.



DI-340IPSN-MVF-G-V2

40m IR 4MP Motorized Vari-Focal Lens Large Dome/Turret Camera

Equipped with a 2.8-12mm motorized lens, this 4MP Dome/Turret camera is designed for medium-distance surveillance (up to 40m) in indoor and outdoor scenarios. The camera offers outstanding DDA Analytics (Detect, Distinguish, Alert), which can perform human and vehicle recognition. With its excellent performance, reliability, and affordable price, the DI-340IPSN-MVF-V2 camera is the perfect solution for any basic installation.



MAIN FEATURES

- DI-340IPSN-MVF-G-V2
- Sensor: 1/3" CMOS (16:9)
- Resolution: 2560×1440 25/30FPS (4MP)
- Lens: 2.8-12mm MVF with Auto Focus (92°-31°)
- True Day&Night – ICR
- Illumination: 40m (3 High-Power IR LED)
- Compression: H.265 / H.264 / MJPEG
- General Analytics: Camera Tampering
- AI (Object Recognition): DDA Sterile Area, DDA Line Crossing
- True WDR (120dB), BLC, HLC, ROI
- SD Card: Event/Schedule Record (Up to 256Gb)
- Built-in Microphone
- ONVIF: Profile T/S/G
- Water Proof: IP67
- Weight: ~640g
- Power: DC12V/~900mA / PoE/~10W



<https://staging2.provision-isr.com>

SPECIFICATIONS

| 3rd Party Cyber Protection | |
|----------------------------|---|
| General | N/A |
| Protection Methods | N/A |
| NDAA Compliant | |
| NDAA Compliant | Yes |
| Video | |
| Image Sensor | 1/3" CMOS (16:9) |
| Effective Pixels | 2560x1440 |
| Electronic Shutter | 1/2s ~ 1/100000s |
| Day & Night | ICR |
| Min. Illumination | Day: 0.1lux / Night: 0.005lux (@F1.6, AGC on) 0lux with IR on |
| Audio | |
| Audio compression | G.711A/G.711U |
| Communication | One-way Audio |
| Image | |
| Image Settings | AWB, AGC Adjustable, Exposure Mode (Auto) Sharpness, Saturation, Brightness & Contrast Adjustable |
| Image Enhancement | True WDR (120dB), BLC, HLC, ROI |
| Noise Reduction | 3D-DNR |
| Image Orientation | Mirror/Flip, Corridor Mode |
| Privacy Zone | Yes |
| Events and Analytics | |
| Analytics | General Analytics: Camera Tampering AI (Object Recognition); DDA Sterile Area, DDA Line Crossing |
| Motion Detection | Yes |
| Compression | |

| | |
|--------------------------|--|
| Resolution | 4MP (2560x1440) / 3MP (2304x1296) / 2MP (1920x1080) / D1 /CIF |
| Frame Rate | 1-25/30FPS |
| Video Compression | H.265 / H.264 / MJPEG** |
| Multi-Stream | Master Stream: 4MP (2560x1440) / 3MP (2304x1296) / 2MP (1~30fps) Substream: 1MP (1~12/15fps) /D1/CIF (1~30fps) Third Stream: D1/CIF (1~30fps) |
| Bit Rate | 64Kbps ~ 5Mbps@H.265 / 64Kbps ~ 5Mbps@H.265 |
| Encode Mode | VBR/CBR |
| Image Quality | Five levels under VBR; Free adjustment under CBR |

| | |
|-----------------------------|--|
| Lens | |
| Lens (Field of View) | 2.8-12mm MVF with Auto Focus (92°-31°) |
| Iris | DC Iris |
| Lens Mount | Ø14 Mount |
| Detect | 61.76m(202.62ft) |
| Recognize | 12.35m(40.51ft) |
| Identify | 6.18m(20.27ft) |

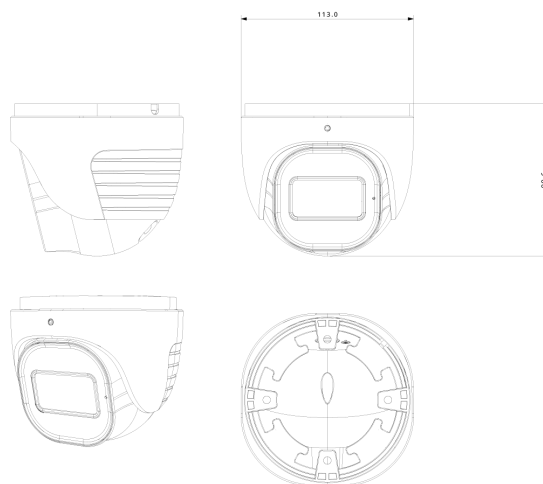
| | |
|--------------------------|---|
| Network | |
| User Access | Supports simultaneous monitoring of up to 3 users with multi-stream real-time transmission |
| Network Protocol | IPv4, IPv6, TCP, UDP, DHCP, NTP, DDNS, 802.1X, RTSP, Multicast, UPnP, Email, FTP, HTTPS, QoS |
| Remote Monitoring | IE Browsing (Plug-In required), Chrome/Edge/Safari/Firefox plug-in free browsing, Ossia VMS Software, Provision Cam2 Mobile App |
| Ethernet | 100Mbps |
| ONVIF | Profile T/S/G |

| | |
|---------------------------|---------------------|
| Connectivity | |
| Network | RJ45 (+PoE) |
| Audio Connectivity | Built-in Microphone |

| | |
|----------------------------|---|
| Alarm | No |
| SD Card | Event/Schedule based Main/Substream recording (Up to 256Gb) |
| Wiegand | No |
| Power | DC Socket |
| Analog Video Output | No |

| Housing | |
|--------------------------|------------------------------|
| PoE | Yes |
| Illumination | 40m (3 High-Power IR LED) |
| Power Supply | DC12V/~900mA / PoE/~10W |
| Protection Rate | Water Proof: IP67 |
| Work Environment | -30°C~60°C, 10%~90% Humidity |
| Bracket | 3-Axis Bracket-G |
| Dimensions | Ø113mm×99.6mm |
| Weight (gross) | ~640g |
| Hard Reset Button | Yes |

DIMENSIONS



ACCESSORIES

