

IP RAINBOW SERIES

Provision-ISR's Rainbow cameras, equipped with CNV (Color Night Vision) technology, yield sharp and superior colors even in poor light conditions, providing visual details that significantly contribute to identifying people or objects.



DH-340SRN-MVF

24/7 FULL-COLOR 4MP MOTORIZED LENS DOME CAMERA WITH HYBRID 40M IR AND WHITE LED

The rainbow camera series is equipped with super light-sensitive sensors that allow the camera to provide a color image throughout the day. When the ambient light is insufficient, the camera will turn on the integral lighting, allowing it to continue providing a full-color image. The Hybrid solution enables you to choose between standard IR that provides a B&W image and white LED that provides a colorful image. With its outstanding performance, reliability, and affordable price, the DH-340SRN-MVF camera is the perfect solution for indoor/outdoor installations.



MAIN FEATURES

- 4MP
- RAINBOW
- S-SIGHT
- 2592×1520 Resolution
- 2.8-12mm Motorized Vari-Focal (105.4°-34°)
- 3D-DNR
- IP67
- Audio in + Built-in microphone

ANALYTICS

- General Analytics: Camera Tampering
- Standard Analytics: Line Crossing, Sterile Area



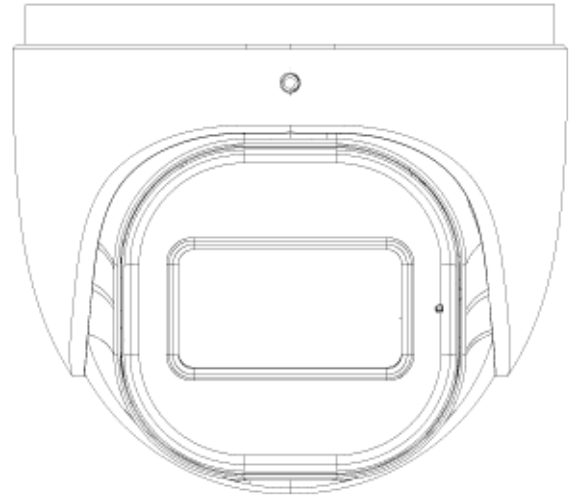
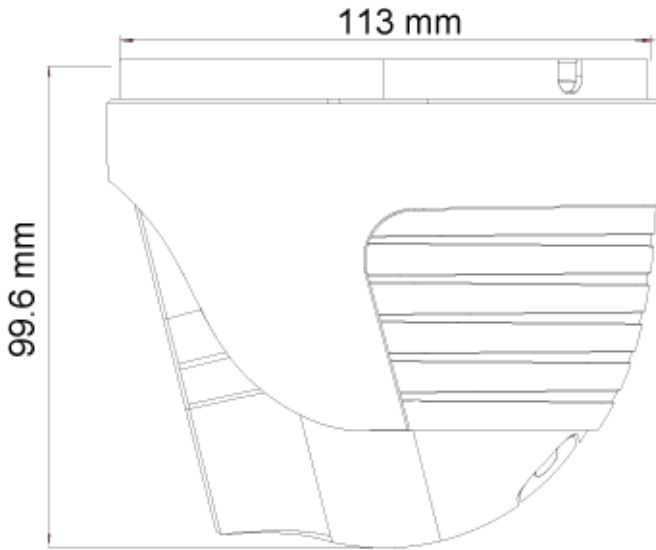
SPECIFICATIONS

| | |
|----------------------|--|
| Image Sensor | 1/2.8" CMOS (16:9) |
| Effective Pixels | 2592x1520 |
| Electronic Shutter | 1/25s ~ 1/100000s |
| Frame Rate | 1-25/30 FPS |
| Min. Illumination | Day: 0.1lux / Night: 0.002lux (@F1.0, AGC on) 0lux with IR on |
| D&N | ICR + 24/7 Full-Color Day Mode |
| Audio Compression | G.711A/G.711U |
| Communication | One-way Audio |
| Image Settings | AWB, AGC Adjustable, Exposure Mode (Auto) Sharpness, Saturation, Brightness & Contrast Adjustable |
| Image Enhancement | True WDR (120dB), BLC, HLC, ROI |
| Noise Reduction | 3D-DNR |
| Image Orientation | Mirror/Flip |
| Privacy Zone | Yes |
| Motion Detection | Yes |
| Analytics | General Analytics: Camera Tampering Standard Analytics: Line Crossing, Sterile Area |
| Video Compression | H.265 / H.264 / H.265+ / H.264+ / MJPEG* |
| Resolution | 4MP (2560x1440) / 3MP (2304x1296) / 2MP (1920x1080) / D1 / QVGA / CIF |
| Multi-Stream | Master Stream: 4MP (2560x1440) / 3MP (2304x1296) / 2MP (1~30fps) Substream: 1MP (1~12/15fps) / D1/CIF (1~30fps) Third Stream: D1/CIF (1~30fps) |
| Bit rate | 64Kbps ~ 5Mbps@H.265 / 64Kbps ~ 5Mbps@H.264 |
| Encode Mode | VBR/CBR |
| Image Quality | Five levels under VBR; Free adjustment under CBR |
| IR Distance | 40m (1 High-Power IR LED) 40m (2 High-Power White LEDs) |
| Lens (Field of View) | 2.8-12mm MVF with Auto Focus (105.4°-34°) |

SPECIFICATIONS

| | |
|---------------------|---|
| Iris | Fixed Iris |
| Lens Mount | M12 mount |
| Protection Rate | Water Proof: IP67 |
| Bracket | 3-Axis Bracket |
| Dimensions | Ø113mm×99.6mm |
| Weight (gross) | ~640g |
| Network | RJ45 (+PoE) |
| Power | DC Socket |
| Analog Video Output | No |
| Audio Connectivity | Built-in Microphone + Audio Input |
| SD Card | Event/Schedule based Main/Substream recording (Up to 128Gb) |
| Hard Reset Button | Yes |
| Alarm | No |
| Remote Monitoring | Web Browsing, Ossia VMS Software, Provision Cam2 Mobile App |
| User Access | Supports simultaneous monitoring of up to 3 users with multi-stream real-time transmission |
| Network Protocol | IPv4, IPv6, TCP, UDP, DHCP, NTP, DDNS, 802.1X, RTSP, Multicast, UPnP, Email, FTP, HTTPS, QoS, P2P |
| ONVIF | Yes |
| Ethernet | 100Mbps |
| PoE | Yes |
| Power Supply | DC12V/~780mA / PoE/~7.4W |
| Work Environment | -30°C~60°C, 10%~90% Humidity |
| Junction Box | PR-JB14IP66 - PR-JB14IP64 - PR-WB-A |

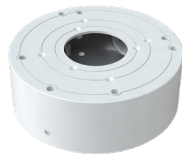
DIMENSIONS



ACCESSORIES



PR-JB14IP66



PR-JB14IP64



PR-WB-A