

HD PRO SERIES

Series dedicated to the installer who's looking for a high-level camera making the difference in terms of image quality.

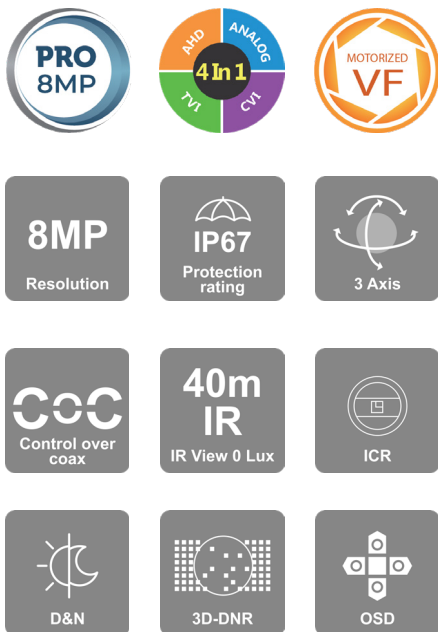


DI-380A-MVF

40M IR 8MP PRO HD ANALOG MOTORIZED VARI-FOCAL LENS DOME/TURRET CAMERA

This 4K dome/turret camera presents a stunning 8-megapixel image, equipped with a 2.8-12mm motorized lens, it is designed for medium distance surveillance (up to 40m) for both indoor and outdoor scenarios.

Featuring 4in1 technology selectable by a protected DIPswitch the camera is ideal for Plug & Play over existing analog infrastructure.



MAIN FEATURES

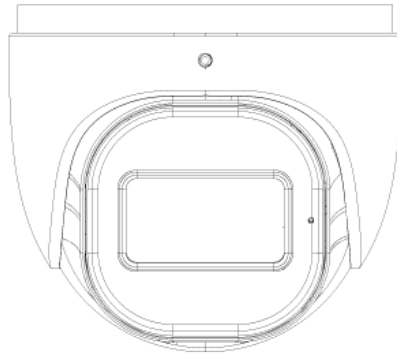
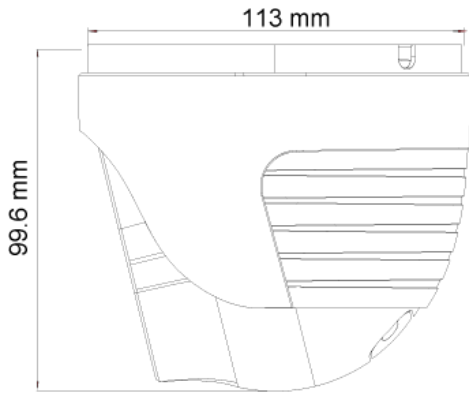
- 8MP
- Pro Series
- 3840x2160 Resolution
- 2.8-12mm Motorized Varifocal (78°-31.3°)
- 3D-DNR
- 4 in 1 (DIP Switch AHD/TVI/CVI/CVBS + PAL/NTSC)
- IP67
- COC support



SPECIFICATIONS

Image Sensor	1/2.5" 8MP Sensor
Image Format	8MP/4MP - 16:9, 5MP - 4:3
Effective Pixels	3864x2202
Scanning System	Progressive
Resolution	8MP: 3840x2160 AHD/TVI/CVI 5MP: 2592x1944 AHD/TVI 4MP: 2560x1440 AHD/TVI/CVI CVBS: 700TVL
FPS	8MP @ 12/15FPS, 5MP @ 20FPS, 4MP @ 25/30FPS, CVBS @ 25/30FPS
Min. Illumination	Color: 0.01lux @F1.2, AGC ON B/W: 0lux with IR
D&N	True Day&Night-ICR
IR LED	3 LED Array (40m)
OSD Menu	Available via CoC Only
CoC Support	Yes
Day & Night Mode	Ext/Auto/Day/Night
Backlight Compensation	BLC
S/N Ratio	≥52dB (AGC OFF)
White Balance	Auto
Noise Reduction	3D-DNR
Video Output	8MP / 5MP / 4MP (Selected by OSD Menu) AHD/TVI/CVI/CVBS (Selected by DIP Switch)
Privacy Mask	No
D-Effect	No
WDR	No
Lens (Field Of View)	2.8-12mm Motorized Vari-Focal (78°-31.3°)
Power	DC12V/650mA
Operation Temperature	-30°~ 50°, 10% ~ 90% humidity
Protection Rate	IP67
Dimensions	Φ113*99.6mm
Net Weight	695g
Junction Box	PR-JB14IP66 - PR-JB14IP64 - PR-WB-A

DIMENSIONS



DIP Switch for Output Selection

ACCESSORIES



PR-JB14IP66
Large Water-proof Junction Box



PR-JB14IP64
Large Junction Box



PR-WB-A
Designed Wall Bracket